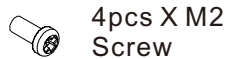
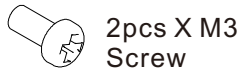
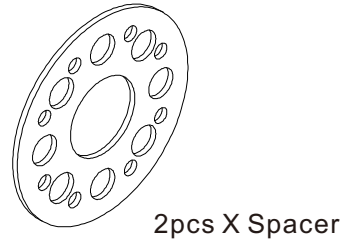
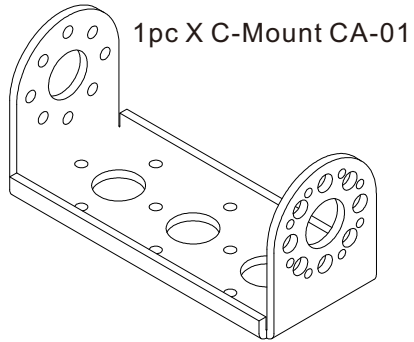
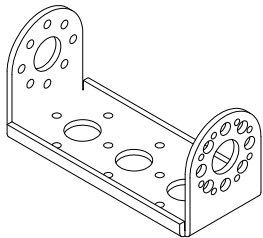


Parts include in the package

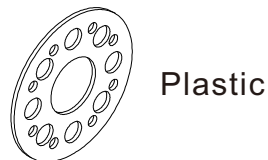


***** ProGear BL806 Robot Digital Servo *****
***** is NOT include in the package *****

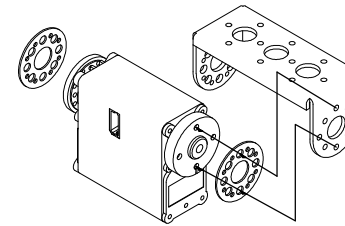
Material of the Parts



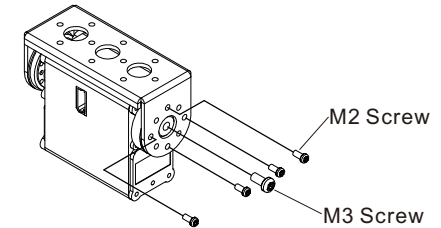
C-Mount CA-01
aluminum A7075
Color :
1. aluminum (Original)
2. Red (Oxidation)



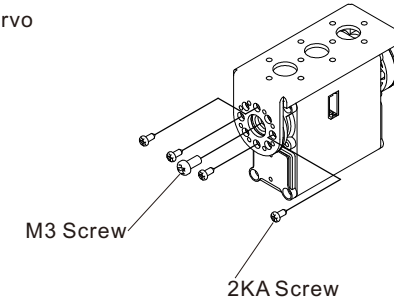
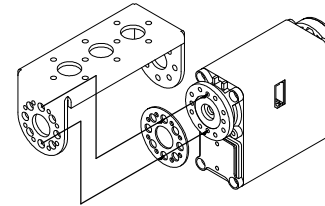
Installation Steps



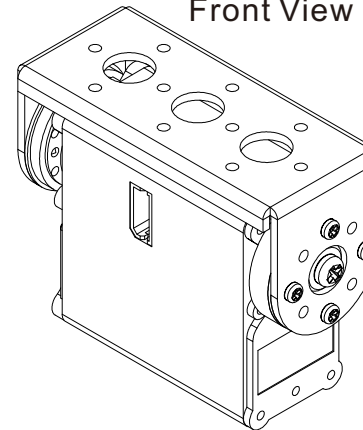
Install all the Screw



Adjust the CA-01 & the Spacer
fit with the ProGear BL806 Robot Digital Servo



Front View



Rear View

